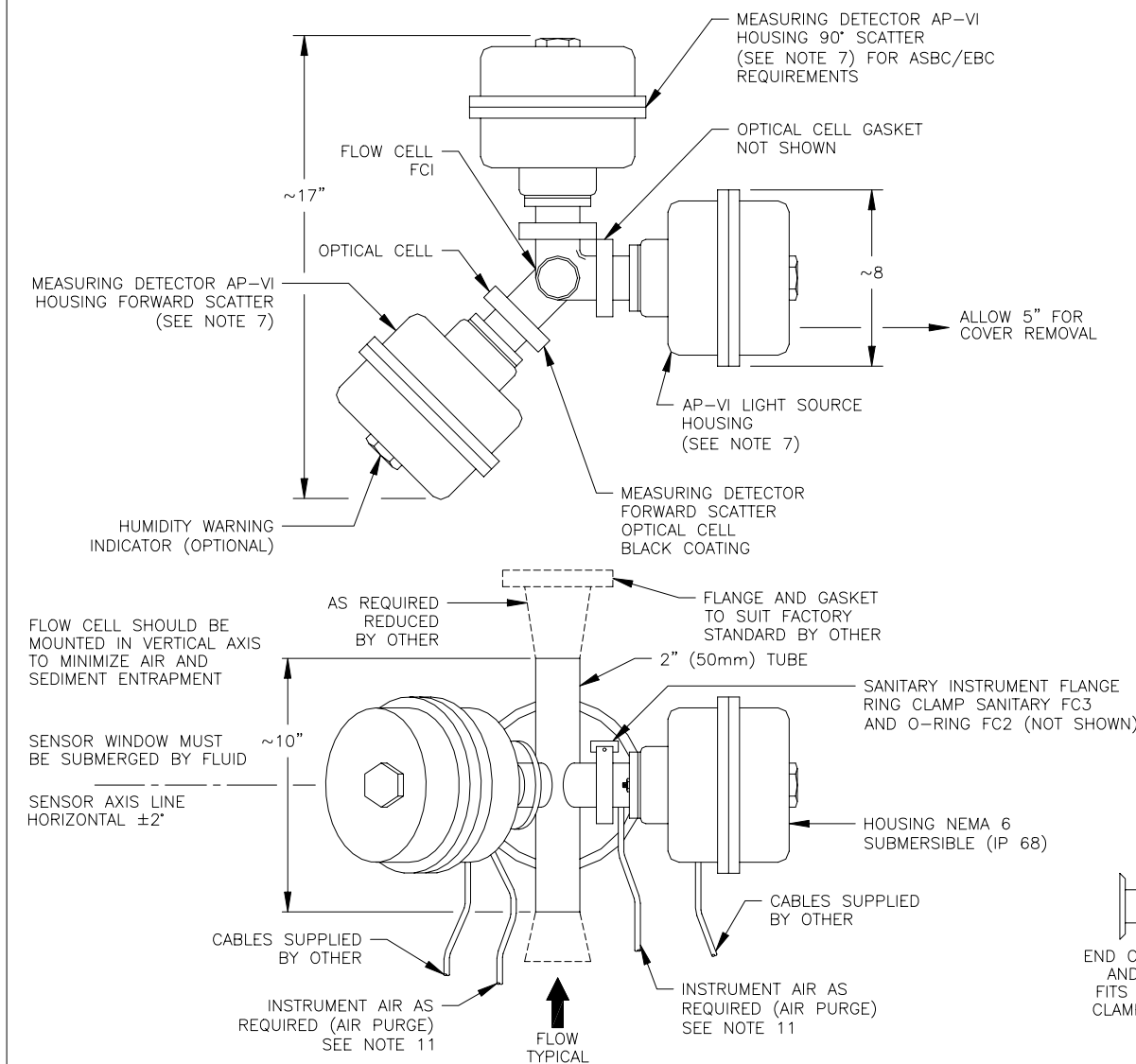


COMBINATION FORWARD
AND 90° SCATTER MOUNT
DUAL SCATTER
TRANSMITTER

NOTES:

1. 150 PSIG (10 BAR), 250°C (AIR PURGE).
2. RANGE: 0 TO 20 NTU, 2 EBC, 200 ASBC AND 200 PPM.
3. MATERIAL IS 316, WINDOW AND GASKET AS REQUIRED.
4. KEEP FLOW CELL REMOTE FROM SIGHT FLOW VIEW PORT.
5. CABLES SHOULD ENTER HOUSING FROM BOTTOM.
6. RESERVED
7. LIQUID TIGHT STRAIN RELIEF (SUPPLIED) MUST BE TIGHT ON WIRE, SO NO AIR OR WATER MAY ENTER.
8. CUSTOMER TO MOUNT REDUCERS TO MEET FACTORY PIPING REQUIREMENTS AND PIPING STANDARDS. SUGGESTED MAXIMUM FACTORY SIZE 3 INCH OR 75mm.
9. CUSTOMER CAN MAKE BUTT WELD UNION OR USE FLANGE (SANITARY, RF, ETC.).
10. COMPLETE SYSTEM INCLUDES FLOW CELL (FC-1) PLUS LIGHT SOURCE, PHOTOCCELL SCANNER, AND GASKETS (FC2) AND RING CLAMP (FC3).
11. AIR DRYERS OR DRY INSTRUMENT AIR PURGE WILL BE REQUIRED TO MAINTAIN INSTRUMENT SPECIFICATIONS WHERE FLUID TEMPERATURE IS BELOW AMBIENT AIR DEW POINT.
12. FILTERS ARE USED TO MATCH FLUID COLOR SPECTRUM (INFRARED - ULTRAVIOLET) SEE FACTORY
13. WHERE FORWARD OR 90° SCATTER NOT REQUIRED BLOCK OFF PORTS.
14. RESERVED.
15. WEIGHT: 25lbs.



NOTE 13



McNAB, INCORPORATED
20 N. MacQUESTEN PKWY., MT. VERNON, NY, 10550-1897 USA
(914) 699-1616 TELEFAX (914) 699-1671 ©McNAB, 2000
www.themcnab.com

FLOW CELL ASSEMBLY

	12 APR 2004		REV.
SCALE:	80426	SHEET 1 OF 1	